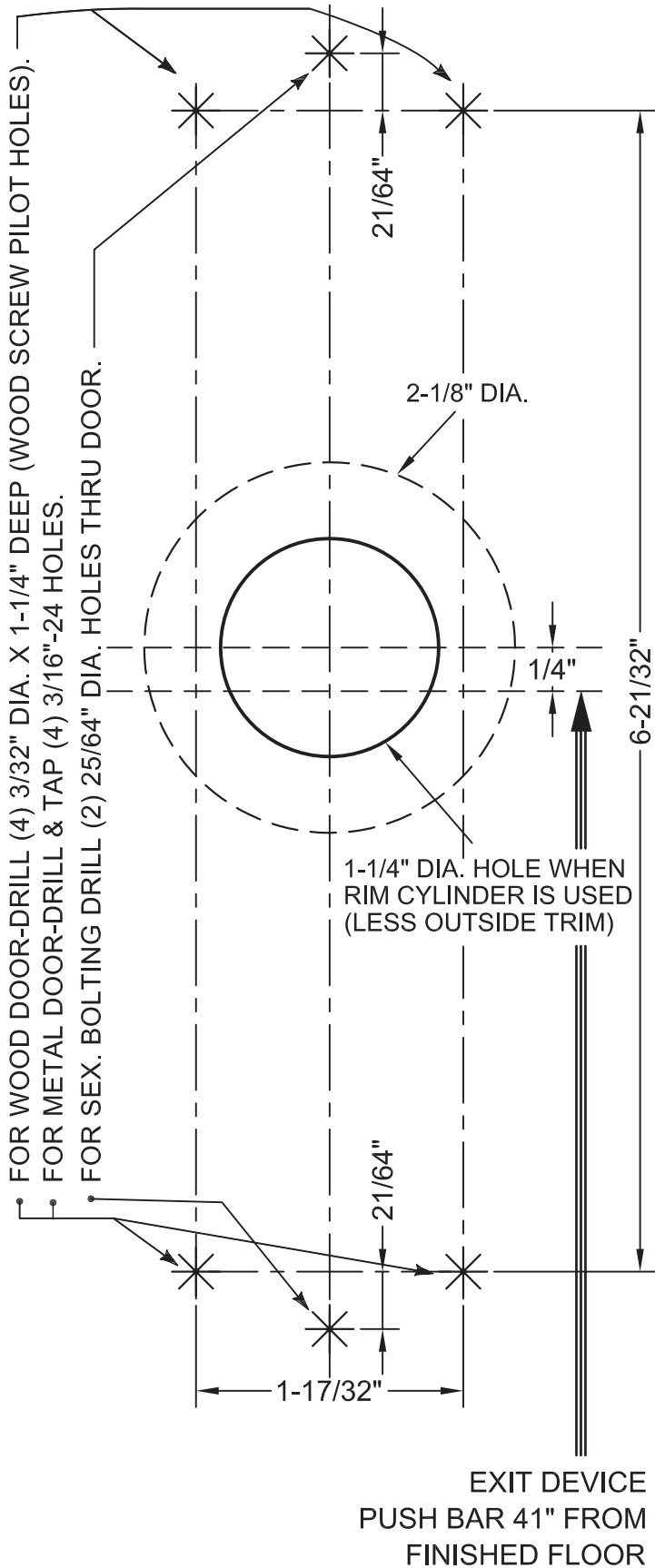


TEMPLATE

ED70 EXIT DEVICES HOLE LOCATIONS. SIZE AND TYPE INDICATED ON TEMPLATE.

VERTICAL CENTER LINE



TEMPLATE

ED70F FIRE EXIT DEVICES TRIM HOLE LOCATIONS.

VERTICAL CENTER LINE

